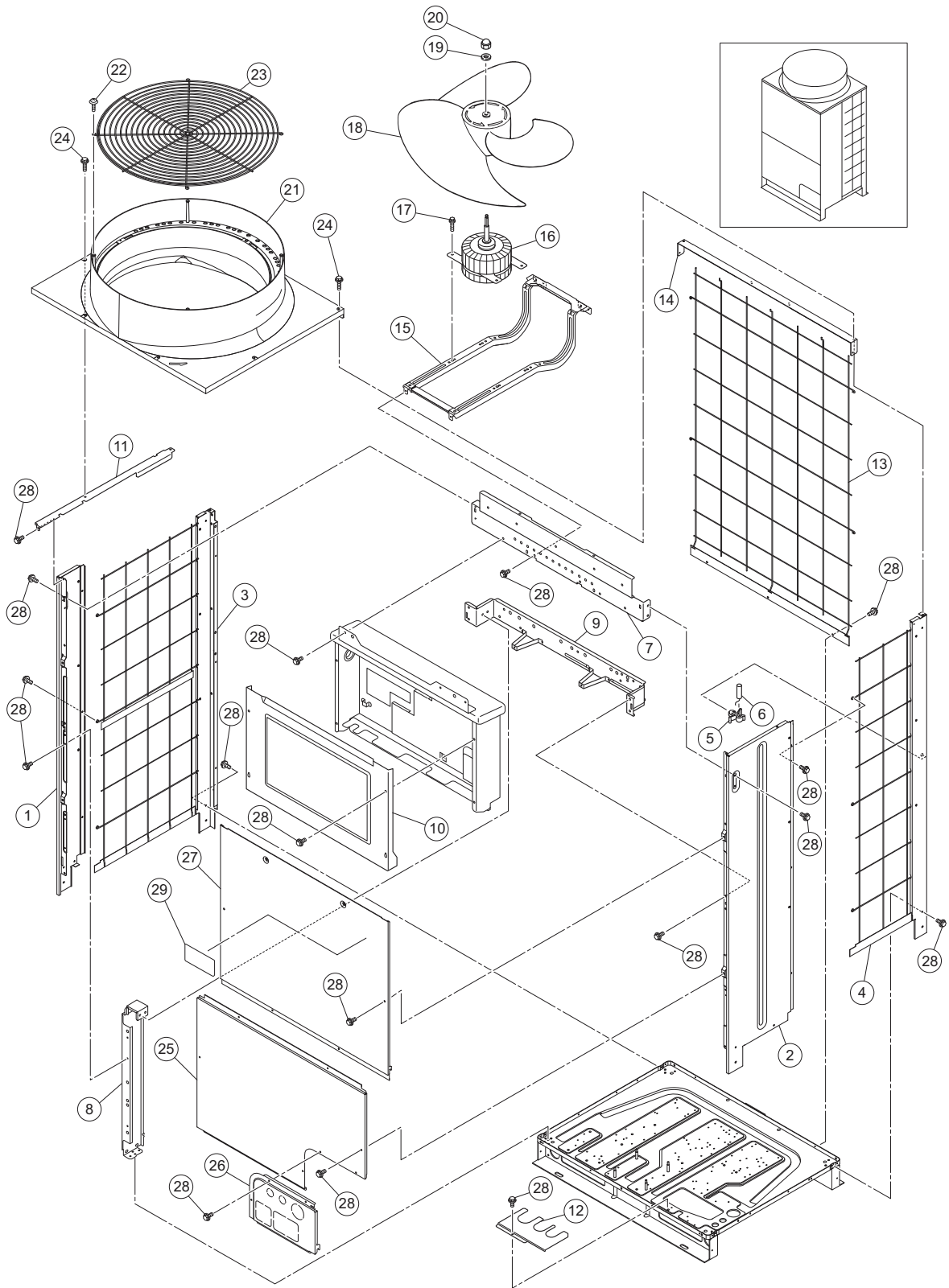
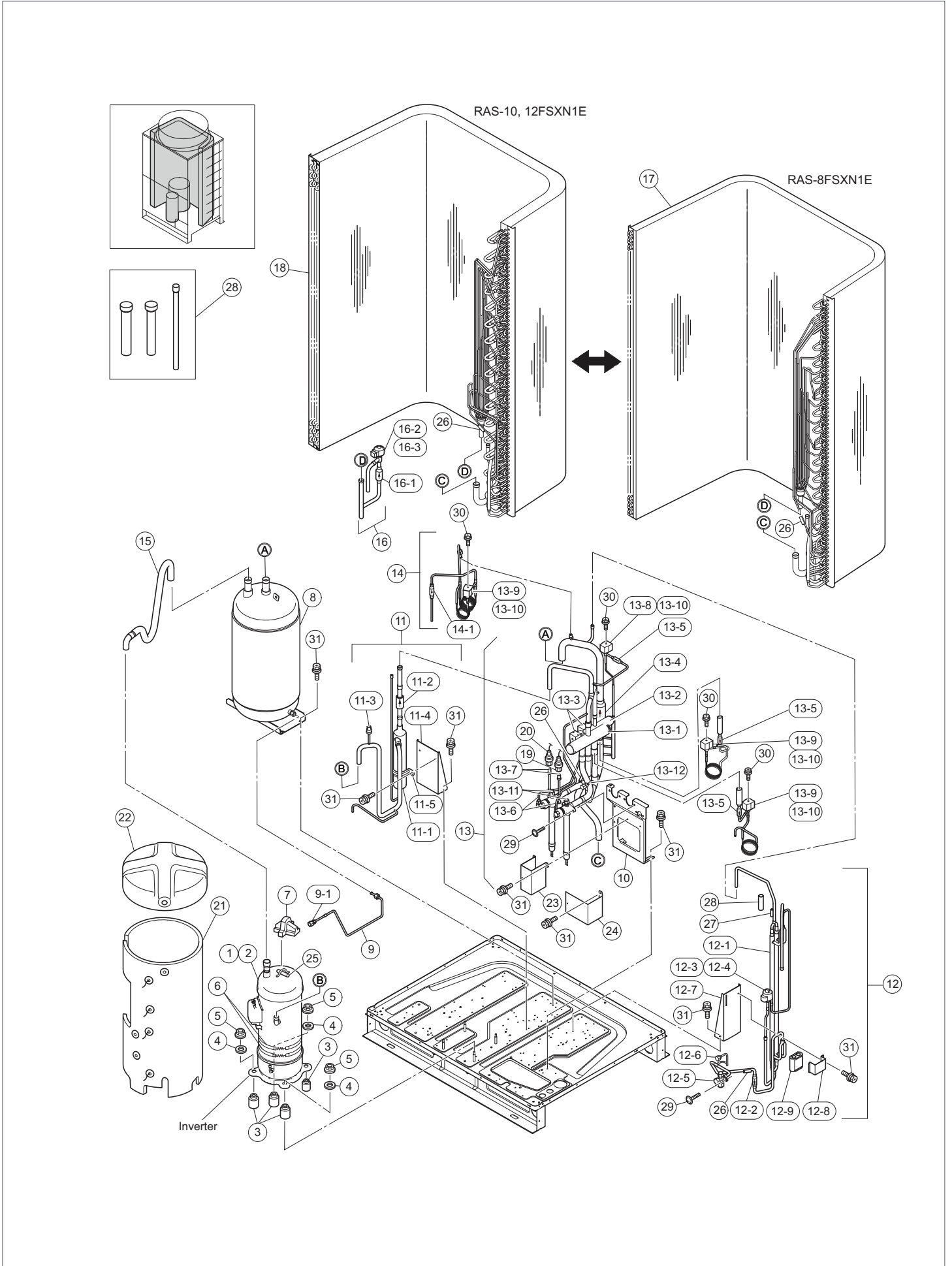


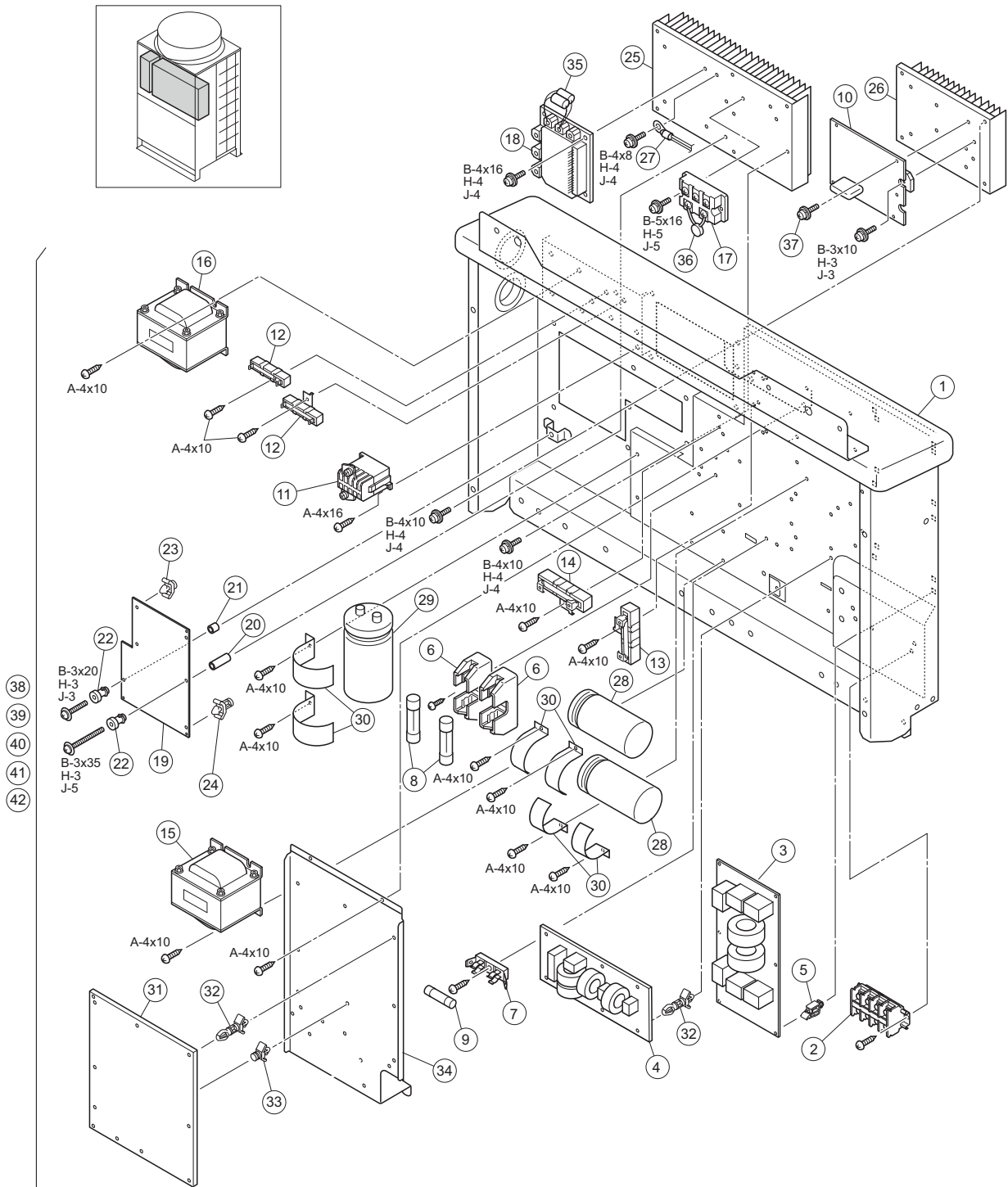
| | | | | | Voltage | | |
|-----|--------------------|------------------|-----------|------------------------|---------------|--------------|--------------|
| | | | | | 400V/50Hz | | |
| No. | Part Name | Replacement Part | | Remarks | Q'ty Per Unit | | |
| | | Draw. No. | Order No. | | 7E331110 | 7E331111 | 7E331112 |
| | | | | | RAS-8FSXN1E | RAS-10FSXN1E | RAS-12FSXN1E |
| 1 | Side Cover L | 17B41356 A | P28528 | | 1 | 1 | 1 |
| 2 | Side Cover R | 17B41355 A | P28527 | | 1 | 1 | 1 |
| 3 | Side Cover L2 Assy | XEK24767 A | E03902 | | 1 | 1 | 1 |
| 4 | Side Cover R2 Assy | XEK24766 A | E03903 | | 1 | 1 | 1 |
| 5 | TH Holder | 17D55179 A | E03089 | for Ta Thermistor | 1 | 1 | 1 |
| 6 | Thermistor | 17C59663 A | P22520 | THM7: for Ambient (Ta) | 1 | 1 | 1 |
| 7 | Front Stay M | 17F03717 A | E03090 | | 1 | 1 | 1 |
| 8 | Support Stay Assy | 17H16044 A | E03904 | | 1 | 1 | 1 |
| 9 | D Fix S Assy | XEK24256 A | E03091 | | 1 | 1 | 1 |
| 10 | E-Box Cover | XEK24212 B | E03905 | | 1 | 1 | 1 |
| 11 | Upper Stay | 17F04003 A | E03092 | | 1 | 1 | 1 |
| 12 | Piping Cover | 17H06168 A | E03095 | | 1 | 1 | 1 |
| 13 | Protection Net | 17F10841 A | P29575 | | 1 | 1 | 1 |
| 14 | Upper Rear Stay | 17H18662 A | P29577 | | 1 | 1 | 1 |
| 15 | Clamp Unit | XEK24213 A | E04004 | | 1 | 1 | 1 |
| 16 | Fan Motor | 17A21335 A | P29980 | MOF1 | 1 | 1 | 1 |
| 17 | Screw | 17D30320 H | E03097 | SUS, M6, for Fan Motor | 4 | 4 | 4 |
| 18 | Propeller Fan | 17A21604 A | P28483 | φ644 | 1 | 1 | 1 |
| 19 | Washer | 17E08525 E | P23249 | SUS | 1 | 1 | 1 |
| 20 | Closing Nut | 17D50034 D | P23248 | SUS, M10 | 1 | 1 | 1 |
| 21 | Upper Cover M | 17A15175 A | E01226 | | 1 | 1 | 1 |
| 22 | Screw | 464M0416 | E03098 | SUS, M4 | 4 | 4 | 4 |
| 23 | Air Grille | 17C58631 B | P24215 | | 1 | 1 | 1 |
| 24 | Screw | 17G84611 D | P27991 | SUS, M5 | 6 | 6 | 6 |
| 25 | Front Cover M2 | XEK12297 A | E03906 | | 1 | 1 | 1 |
| 26 | Pipe Cover 2 | XEK24747 A | E03907 | | 1 | 1 | 1 |
| 27 | Service Cover M | XEK12079 A | P28490 | | 1 | 1 | 1 |
| 28 | Screw | 17H12637 A | P25678 | SUS, M5 | 29 | 29 | 29 |
| 29 | HITACHI Label | XEK34697 B | E03099 | | 1 | 1 | 1 |



| No. | Part Name | Replacement Part | | Remarks | Voltage | | |
|-------|--------------------------|------------------|-------------|---|---------------|----------|----------|
| | | Draw. No. | Order No. | | 400V/50Hz | | |
| | | | | | Q'ty Per Unit | | |
| | | | | | 7E331110 | 7E331111 | 7E331112 |
| | | | RAS-8FSXN1E | RAS-10FSXN1E | RAS-12FSXN1E | | |
| 1 | Compressor (Inverter) | 17F10550 A | 06934904 | MC1: DA50PHD-D1YE2 | | 1 | 1 |
| 2 | Compressor (Inverter) | 17F10551 A | 06954904 | MC1: DA65PHD-D1YE2 | 1 | | |
| 3 | Vibration Proof Rubber 1 | 17D21147 B | P28639 | | 4 | 4 | 4 |
| 4 | Vibration Proof Rubber 2 | 17D21207 A | E00699 | | 3 | 3 | 3 |
| 5 | Nut | 17D49475 A | P21245 | | 3 | 3 | 3 |
| 6 | Oil Heater | 17F05909 A | P28538 | CH1: 40.8W, Belt Heater | 2 | 2 | 2 |
| 7 | Rubber Cap | 17B29767 A | P24397 | | 1 | 1 | 1 |
| 8 | Accumulator | XEK12231 A | E03914 | | 1 | 1 | 1 |
| 9 | Oil Pipe Assy | XEK37886 A | E03915 | | 1 | 1 | 1 |
| 9-1 | Check Joint | 17C75461 D | P29350 | | 1 | 1 | 1 |
| 10 | Valve Stay | XEK24613 A | E03916 | | 1 | 1 | 1 |
| 11 | D Pipe Unit | XEK12233 A | E03917 | | 1 | 1 | 1 |
| 11-1 | Oil Separator | XEK24675 A | E03918 | | 1 | 1 | 1 |
| 11-2 | Check Valve | 17C88669 A | P27310 | | 1 | 1 | 1 |
| 11-3 | High Pressure Switch | XEK22551 A | P25043 | PSH1: Saginomiya, ACB-1UB42 | 1 | 1 | 1 |
| 11-4 | Stay for Oil Serparator | 17H06171 A | E03108 | | 1 | 1 | 1 |
| 11-5 | Saddle | 29ZF0051 | E03109 | | 1 | 1 | 1 |
| 12 | L Pipe Assy | XEK12286 A | E03919 | | 1 | 1 | 1 |
| 12-1 | Double Tube | XEK38011 B | E03920 | | 1 | 1 | 1 |
| 12-2 | Strainer | 17D55178 A | P16943 | | 1 | 1 | 1 |
| 12-3 | Expansion Valve | 17C78465 A | P26007 | MVB: Saginomiya, UKV-25D26 | 1 | 1 | 1 |
| 12-4 | Coil for Expansion Valve | 17C78180 C | P27606 | MVB: Saginomiya, UKV-A035 | 1 | 1 | 1 |
| 12-5 | Stop Valve (Liquid) | 17F06326 A | P28918 | 3/8 | 1 | 1 | 1 |
| 12-6 | Check Joint | 17C75461 B | P25044 | | 1 | 1 | 1 |
| 12-7 | Plate Stay | 17H06172 A | E03115 | | 1 | 1 | 1 |
| 12-8 | Plate Stopper | 17E25685 A | E03116 | | 1 | 1 | 1 |
| 12-9 | Rubber Sheet | 17H10681 A | E03921 | | 1 | 1 | 1 |
| 13 | 4-Way Valve Assy | XEK12236 A | E03922 | | 1 | | |
| | | XEK12236 B | E03923 | | | 1 | 1 |
| 13-1 | 4-Way Valve | 17F06923 A | P29253 | RVR1: Saginomiya, STF-H0712 | 1 | 1 | 1 |
| 13-2 | 4-Way Valve | 17F06922 A | P29252 | RVR2: Saginomiya, STF-H0404 | 1 | 1 | 1 |
| 13-3 | Coil for 4-Way Valve | 17F06925 A | P29697 | RVR1, 2: Saginomiya, STF-H01A11870A1 | 2 | 2 | 2 |
| 13-4 | Strainer | 17G87733 B | P28508 | | 1 | 1 | 1 |
| 13-5 | Strainer | 17G62701 A | P25036 | | 3 | 3 | 3 |
| 13-6 | Check Joint | 17C75461 B | P25044 | | 2 | 2 | 2 |
| 13-7 | PGC Joint | 17C93010 B | P27887 | | 2 | 2 | 2 |
| 13-8 | Solenoid Valve | 17C64849 A | P24511 | SVA: Nichiden Kougyou, SR10PA | 1 | 1 | 1 |
| 13-9 | Solenoid Valve | 17C77098 A | P25246 | SVF, SVG: Nichiden Kougyou, SR10D | 3 | 3 | 3 |
| 13-10 | Coil for Solenoid Valve | 17C76434 B | E03123 | SVA, SVF, SVG: Nichiden Kougyou, SR10PA | 4 | 4 | 4 |
| 13-11 | Stop Valve (Gas) | 17F09233 A | P29260 | 7/8 | 2 | 2 | 2 |
| 13-12 | Check Joint | 17C75461 C | E03124 | | 1 | 1 | 1 |
| 14 | Oil Return Pipe Assy | 17F09314 A | P29258 | | 1 | | |
| | | 17F09315 A | P29259 | | | 1 | 1 |
| 14-1 | Strainer | 17D55178 A | P16943 | | 1 | 1 | 1 |



| No. | Part Name | Replacement Part | | Remarks | Voltage | | | | |
|-----|-----------------------|------------------|-----------|--|---------------|--------------|--------------|--------------|--------------|
| | | Draw. No. | Order No. | | 400V/50Hz | | | | |
| | | | | | Q'ty Per Unit | | | | |
| | | | | | 7E33110 | 7E33111 | 7E33112 | 7E33130 | 7E33131 |
| | | | | | RAS-8FSXN1E | RAS-10FSXN1E | RAS-12FSXN1E | RAS-14FSXN1E | RAS-16FSXN1E |
| 1 | Electrical Box Plate | XEK12242 A | E03908 | Steel Plate Only | 1 | 1 | 1 | 1 | 1 |
| 2 | Terminal Board | XEK34375 A | E02519 | TB1: 600V, 50A | 1 | 1 | 1 | | |
| 2 | Terminal Board | 17P00843 C | E03158 | TB1: 600V, 80A | | | | 1 | 1 |
| 3 | Noise Filter | 17B41798 A | P28595 | NF1: 4LFB-22930-2F | 1 | 1 | 1 | 1 | 1 |
| 4 | Noise Filter | 17B42008 A | P28596 | NF2: LFB-14930-3MA | 1 | 1 | 1 | 1 | 1 |
| 5 | Holder | 17G07802 A | P20985 | | 6 | 6 | 6 | 6 | 6 |
| 6 | Fuse Holder | 17C68732 A | P24729 | EF1, 2 (for Inv. Comp.) | 2 | 2 | 2 | 2 | 2 |
| 7 | Fuse Holder | 17C68766 A | P24114 | EF11 (for Fan) | 1 | 1 | 1 | 1 | 1 |
| 8 | Fuse | XEK32372 B | P24776 | EF1, 2: 40A, Cartridge Fuse (for Inv. Comp.) | 2 | 2 | 2 | 2 | 2 |
| 9 | Fuse | 17F01759 G | P28602 | EF11: 20A, Cartridge Fuse (for Fan) | 1 | 1 | 1 | 1 | 1 |
| 10 | Fan Controller | 17B41624 B | E03159 | FANM: PV092 | 1 | 1 | 1 | 1 | 1 |
| 11 | Magnet Switch | 17B28277 B | P24721 | CMC1: Fuji Electric, FC-0/SP | 1 | 1 | 1 | 1 | 1 |
| 12 | Resistor | 17B33595 A | P26062 | RS1, 2: 20SHT500JA187 | 2 | 2 | 2 | 2 | 2 |
| 13 | Resistor | 17B41920 A | P28599 | R1: 40SH, 6.3kΩ | 1 | 1 | 1 | 1 | 1 |
| 14 | Resistor | 17B41920 B | P28600 | R2: 40SH, 10.5kΩ | 1 | 1 | 1 | 1 | 1 |
| 15 | Reactor | 17F05484 A | P28601 | DCL2: 3.0mH, 10A (for Fan) | 1 | 1 | 1 | 1 | 1 |
| 16 | Reactor | 17B43206 A | P27217 | DCL1: 1.0mH, 30A (for INV.) | 1 | 1 | 1 | 1 | 1 |
| 17 | Diode Module | 17B40192 A | P27214 | DM: PT50SN16 | 1 | 1 | 1 | 1 | 1 |
| 18 | Transistor Module | 17B37211 A | P27215 | IPM: 6MBP50RA120-55 | 1 | 1 | 1 | 1 | 1 |
| 19 | PCB for Inverter | 17B41615 B | P29549 | PCB2: PV093 | 1 | 1 | 1 | 1 | 1 |
| 20 | Collar | 17G15233 B | P20986 | | 2 | 2 | 2 | 2 | 2 |
| 21 | Collar | 17G15233 C | P26099 | | 1 | 1 | 1 | 1 | 1 |
| 22 | Bush | 17G15232 A | P20987 | | 3 | 3 | 3 | 3 | 3 |
| 23 | Spacer | XEK34316 B | E01617 | | 1 | 1 | 1 | 1 | 1 |
| 24 | Spacer | XEK34316 C | E01616 | | 1 | 1 | 1 | 1 | 1 |
| 25 | Radiation Fin 1 | 17F03877 A | E03161 | | 1 | 1 | 1 | 1 | 1 |
| 26 | Radiation Fin 2 | 17F03878 A | E03162 | | 1 | 1 | 1 | 1 | 1 |
| 27 | Thermistor | 17H07888 A | P28498 | THM: for Inverter Fin | 1 | 1 | 1 | 1 | 1 |
| 28 | Capacitor | 17B37350 B | P28597 | CB1, 2: 450V, 4700µF (for INV.) | 2 | 2 | 2 | 2 | 2 |
| 29 | Capacitor | 17B41966 B | E03163 | CB3: 450V, 2700µF (for Fan) | 1 | 1 | 1 | 1 | 1 |
| 30 | Saddle | XEK31179 C | E02059 | | 6 | 6 | 6 | 6 | 6 |
| 31 | Printed Circuit Board | 17B43062 K | E03831 | PCB1: PO113 | 1 | 1 | 1 | 1 | 1 |
| 32 | Spacer | XEK30992 C | E03165 | | 15 | 15 | 15 | 15 | 15 |
| 33 | Spacer | XEK34316 A | P21189 | | 2 | 2 | 2 | 2 | 2 |
| 34 | PCB Plate | XEK24264 A | E03166 | | 1 | 1 | 1 | 1 | 1 |
| 35 | Capacitor | 17H16964 A | E03474 | CS1, CS2 | 1 | 1 | 1 | 1 | 1 |
| 36 | Noise Suppressor | 17G85788 D | E03909 | ZNR | 1 | 1 | 1 | 1 | 1 |
| 37 | Screw | 17H09678 A | E03168 | | 5 | 5 | 5 | 5 | 5 |
| 38 | Electrical Box | XEK01308 A | E03941 | Components+Harness+Plates | 1 | | | | |
| 39 | Electrical Box | XEK01308 B | E03942 | Components+Harness+Plates | | 1 | | | |
| 40 | Electrical Box | XEK01308 C | E03943 | Components+Harness+Plates | | | 1 | | |
| 41 | Electrical Box | XEK01309 A | E03944 | Components+Harness+Plates | | | | 1 | |
| 42 | Electrical Box | XEK01309 B | E03945 | Components+Harness+Plates | | | | | 1 |



| | | | | | |
|---|--------------------------|--|---|---------------------|--|
| A | Truss Head Tapping Screw | | F | Stud Bolt | |
| B | Round Head Screw | | G | Nut | |
| C | Flat Head Screw | | H | Washer | |
| D | Pan Head Tapping Screw | | J | Spring Lock Washer | |
| E | Hexagon Head Bolt | | K | Toothed Lock Washer | |

NOTE:

The unchromated coating is applied to iron and steel material for the unspecified materials of the bolt and screw.