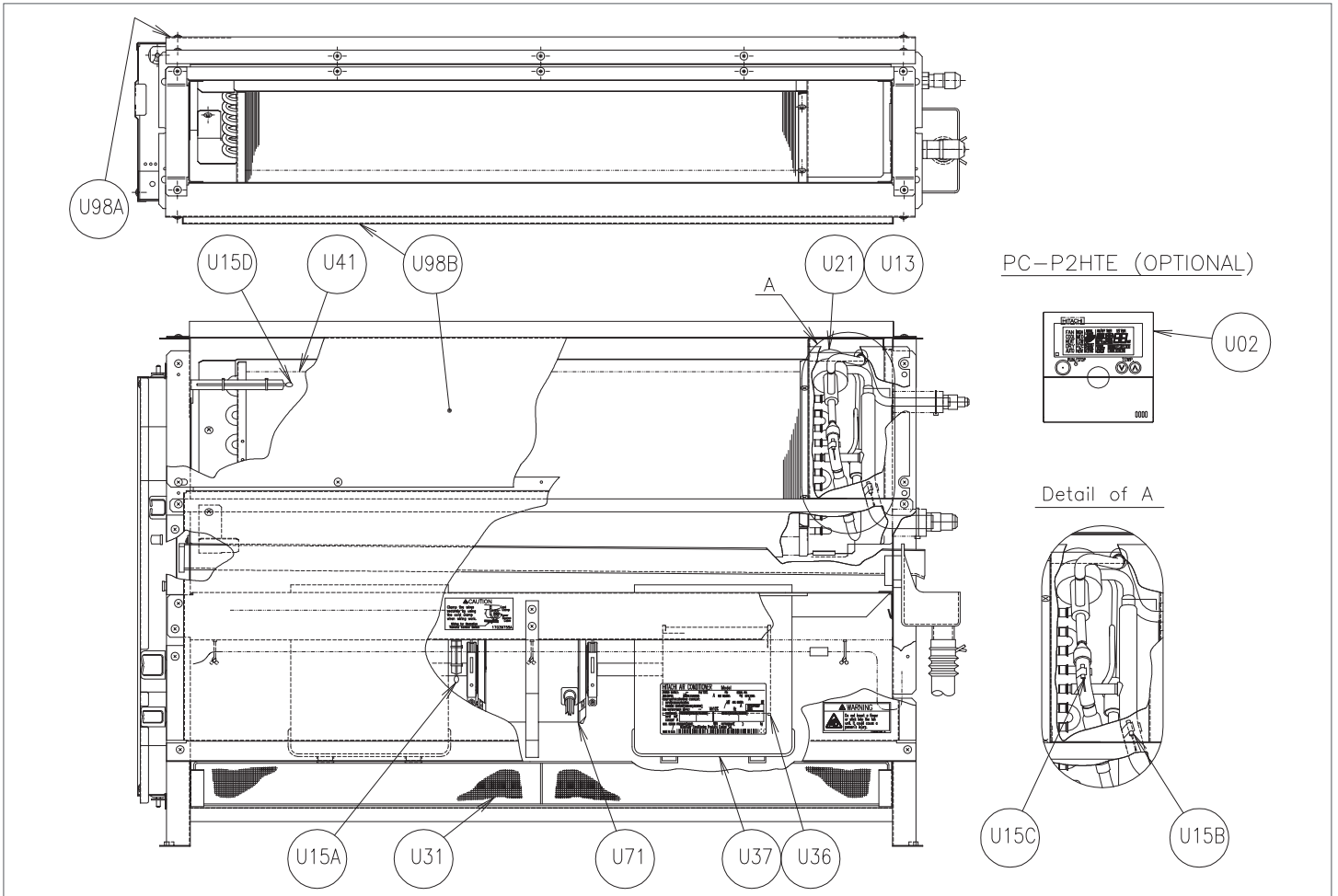


No.	DESCRIPTION	DWG No.	PART No.	MODEL NAME								REMARKS
				PRODUCT CODE								
				Qu.	Qu.	Qu.	Qu.	Qu.	Qu.	Qu.	Qu.	
				RPF-1.0FSN2E, 1 ~ 230V 50Hz	RPF-1.5FSN2E, 1 ~ 230V 50Hz	RPF-2.0FSN2E, 1 ~ 230V 50Hz	RPF-2.5FSN2E, 1 ~ 230V 50Hz	RPFI-1.0FSN2E, 1 ~ 230V 50Hz	RPFI-1.5FSN2E, 1 ~ 230V 50Hz	RPFI-2.0FSN2E, 1 ~ 230V 50Hz	RPFI-2.5FSN2E, 1 ~ 230V 50Hz	
				7E450001	7E450002	7E450003	7E450004	7E460001	7E460002	7E460003	7E460004	
U00	Terminal board	XEK21159 A	E00750	1	1	1	1	1	1	1	1	
U02	Remote Control SW	7E899954	E01516	1	1	1	1	1	1	1	1	PC-P2HTE (OPTIONAL)
U13	Exp. Valve Cord	17C59552 B	E00853	1				1				
U13	Exp. Valve Cord	17C59552 L	E00679		1				1			
U13	Exp. Valve Cord	17C59552 E	E00854			1	1			1	1	
U14	Capacitor	XEK21680 H	E01009			1	1			1	1	4μF
U14	Capacitor	XEK21680 D	E01005	1	1			1	1			2μF
U15A	Thermistor	XEK11209 B	E01235	1				1				Inlet
U15A	Thermistor	XEK11209 D	E01237		1				1			Inlet
U15A	Thermistor	XEK11209 F	E01238			1	1			1	1	Inlet
U15B	Thermistor	17C74419 E	E00940	1	1			1				Gas
U15B	Thermistor	17C74420 H	E00939			1	1		1	1	1	Gas
U15C	Thermistor	17C74419 C	E00936	1	1			1				Liquid
U15C	Thermistor	17C74420 D	E00935			1	1		1	1	1	Liquid
U15D	Thermistor	17B24544 N	E00877	1	1	1	1	1	1	1	1	Outlet
U21	Expansion Valve	17C87881 B	E00580	1	1	1		1	1	1		
U21	Expansion Valve	17C87882 B	E00856				1				1	
U31	Air Filter	17D60817 C	E00582	1								
U31	Air Filter	17D60873 C	E00584					1				
U31	Air Filter	17D60873 D	E00585						1			
U31	Air Filter	17D60817 E	E00861			1	1					
U31	Air Filter	17D60873 E	E00860							1	1	
U31	Air Filter	17D60817 D	E00583		1							
U34A	D Grille	XEK21264 A	E00848	6	7	9	9					Air Outlet
U34B	Air Inlet Grille	XEK31991 A	E00869	4		1	1					Air Inlet
U34C	Air Inlet Grille	XEK31991 B	E00870		3	3	3					Air Inlet
U36	Runner	17B08968 A	P16834	1	2	2	2	1	2	2	2	
U37	Fan Casing	17B14397 A	P17290	1	2	2	2	1	2	2	2	
U41	Heat Exchanger	XEK11566 A	E01774	1				1				Assembly
U41	Heat Exchanger	XEK11567 A	E01775			1				1		Assembly
U41	Heat Exchanger	XEK11566 B	E01776		1				1			Assembly
U41	Heat Exchanger	XEK11568 A	E01777				1				1	Assembly
U65A	Spacer	XEK30992 B	P19112	4	4	4	4	4	4	4	4	For fixing PCB
U65B	Push Spacer	XEK31888 A	E00738	2	2	2	2	2	2	2	2	For fixing PCB
U65C	Grille Knob	XEK21265 A	E00868	8	6	8	8					
U71	Fan Motor	XEK10893 A	E00857	1				1				
U71	Fan Motor	XEK10890 A	E00858			1	1			1	1	
U71	Fan Motor	XEK10977 A	E00859		1				1			
U82	Transformer	XEK22108 A	E01295	1	1	1	1	1	1	1	1	
U85	Printed Circuit Board	17B39483 A	E01687	1	1	1	1	1	1	1	1	
U98A	Back Cover	XEK22935 A	E01778	1				1				Assembly
U98A	Back Cover	XEK22935 B	E01779			1	1			1	1	Assembly
U98A	Back Cover	XEK22935 C	E01780		1				1			Assembly
U98B	Front Cover	XEK32345 A	E00865	1								Assembly
U98B	Front Cover	17D93446 A	E00862					1				Assembly
U98B	Front Cover	17D93446 B	E00863						1			Assembly
U98B	Front Cover	XEK32345 C	E00867			1	1					Assembly
U98B	Front Cover	17D93446 C	E00864							1	1	Assembly
U98B	Front Cover	XEK32345 B	E00866		1							Assembly
U98C	Side Cover	XEK32317 A	E00871	2	2	2	2					Assembly
U98D	Upper Cover	XEK32790 A	E01014	1								
U98D	Upper Cover	XEK32790 C	E00997			1	1					
U98D	Upper Cover	XEK32790 B	E00996		1							



LOCATION OF ELECTRICAL EQUIPMENT IN THE ELECTRICAL CONTROL BOX

