

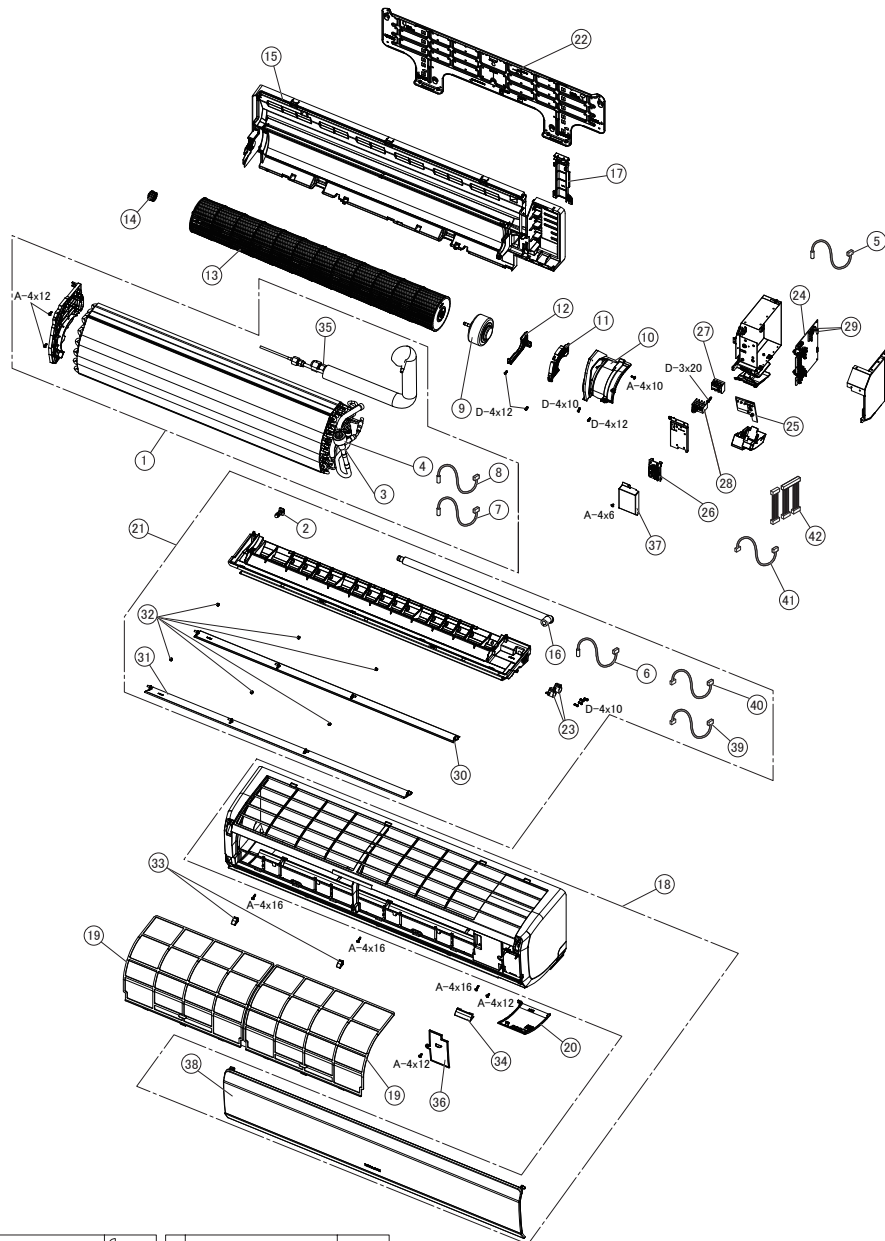
| No. | Part Name | Replacement Part | | Remarks | Q'ty Per Unit | | | |
|-----|---------------------|------------------|-----------|---|---------------|-------------|-------------|-------------|
| | | Draw. No. | Order No. | | RPK-2.0FSRM | RPK-2.5FSRM | RPK-3.0FSRM | RPK-4.0FSRM |
| 1 | Heat Exchanger | 17H35753L | P32371 | | 1 | | | |
| | | 17H35753N | P32373 | | | 1 | 1 | 1 |
| 2 | Condensate Cap | 17F23672A | P31730 | | 1 | 1 | 1 | 1 |
| 3 | Expansion Valve | 17F04391A | P28701 | Fujikoki Corporation, PAM-B40YGHS-1 | 1 | | | |
| | | 17F04392A | P28702 | Fujikoki Corporation, PAM-B80YGHS-1 | | 1 | 1 | 1 |
| 4 | Motor for EXPV | 17F04390G | P29630 | Fujikoki Corporation, PAM-MD12HS-11 | 1 | 1 | 1 | 1 |
| 5 | Thermistor | 17B24544H | P31000 | THM1 for Air Inlet | 1 | 1 | 1 | 1 |
| 6 | Thermistor | 17B38999A | P29626 | THM2 for Air Outlet | 1 | 1 | 1 | 1 |
| 7 | Thermistor | 17B42636D | P29628 | THM3 for Freeze Protection | 1 | 1 | 1 | 1 |
| 8 | Thermistor | 17B42635D | P29627 | THM5 for Gas Line | 1 | 1 | 1 | 1 |
| 9 | Fan Motor | 17F23725A | P31731 | DC, 38W | 1 | 1 | 1 | |
| | | 17F23725B | P31732 | DC, 38W | | | | 1 |
| 10 | Motor Clamp | 17F23673A | P31733 | | 1 | 1 | 1 | 1 |
| 11 | Motor Clamp | 17F23674A | P31734 | | 1 | 1 | 1 | 1 |
| 12 | Motor Clamp | 17F23675A | P31735 | | 1 | 1 | 1 | 1 |
| 13 | Fan | 17F23676A | P31736 | | 1 | 1 | 1 | 1 |
| 14 | Bearing | 17C85253A | P26601 | | 1 | 1 | 1 | 1 |
| 15 | Cabinet Assy | 17A28080A | P31737 | | 1 | 1 | 1 | 1 |
| 16 | Condensate Hose | 17B49672A | P31738 | | 1 | 1 | 1 | 1 |
| 17 | Pipe Cover | 17A28081A | P31739 | | 1 | 1 | 1 | 1 |
| 18 | Cabinet Cover Assy | 17A28082A | P31740 | Including part No.38 Flat Panel | 1 | 1 | 1 | 1 |
| 19 | Filter | 17A28063B | P31916 | | 2 | 2 | 2 | 2 |
| 20 | Receiver Cover | 17F23678B | P31917 | | 1 | 1 | 1 | 1 |
| 21 | Condensate Pan Assy | 17A28084A | P31743 | | 1 | 1 | 1 | 1 |
| 22 | Mounting Plate | 17A28085A | P31744 | | 1 | 1 | 1 | 1 |
| 23 | AS Motor | 17A18041A | P27077 | | 2 | 2 | 2 | 2 |
| 24 | PCB-S | 17H30829C | P31924 | PI-151-S for Control | 1 | 1 | 1 | 1 |
| 25 | PCB-S | 17A28562A | P31918 | for Receiver | 1 | 1 | 1 | 1 |
| 26 | PCB-S | 17H31294B | P31925 | for Switch | 1 | 1 | 1 | 1 |
| 27 | Terminal Block | 17C85280A | P26616 | for Power Supply Circuit | 1 | 1 | 1 | 1 |
| 28 | Terminal Block | 17C85281A | P26618 | for Control Circuit | 1 | 1 | 1 | 1 |
| 29 | Fuse | 17C90851A | P27957 | Fuse on PI-151-S, 5A | 2 | 2 | 2 | 2 |
| 30 | Horizontal Blade | 17A28087A | P31746 | Upper Side | 1 | 1 | 1 | 1 |
| 31 | Horizontal Blade | 17A28088A | P31747 | Lower Side | 1 | 1 | 1 | 1 |
| 32 | Bush | 17F23679A | P31748 | | 6 | 6 | 6 | 6 |
| 33 | Screw Cap | 17F23680A | P31749 | | 2 | 2 | 2 | 2 |
| 34 | Screw Cap | 17F23681A | P31750 | | 1 | 1 | 1 | 1 |
| 35 | Flare Nut | 17E20872C | R4226 | φ12.7 | 1 | | | |
| | | 17E20872D | R4227 | φ15.88 | | 1 | 1 | 1 |
| 36 | Switch Cover | 17F23683A | P31751 | | 1 | 1 | 1 | 1 |
| 37 | Switch Cover | 17F12199A | P29709 | | 1 | 1 | 1 | 1 |
| 38 | Flat Panel | 17F23682A | P31752 | with "HITACHI" Logo | 1 | 1 | 1 | 1 |
| 39 | Code | 17F23686A | P31755 | CN17 for AS Motor (Black) | 1 | 1 | 1 | 1 |
| 40 | Code | 17F23686B | P31756 | CN17 for AS Motor (White) | 1 | 1 | 1 | 1 |
| 41 | Code | 17F23687A | P31757 | CN5A for PCB-S for Receiver | 1 | 1 | 1 | 1 |
| 42 | Code CN19 | 17F24917A | P31958 | Cord between CN19A of No.24 PCB-S and CN19 of No.26 PCB-S | 1 | 1 | 1 | 1 |

NOTE:

The parts without order number are the custom-ordered, and these are not mentioned in the price list.

When ordering them, the part name and the drawing number are required.

Contact your HITACHI distributor for the delivery date and price about them.



| | | | | | |
|---|--------------------------|--|---|---------------------|--|
| A | Truss Head Tapping Screw | | F | Stud Bolt | |
| B | Round Head Screw | | G | Nut | |
| C | Flat Head Screw | | H | Washer | |
| D | Pan Head Tapping Screw | | J | Spring Lock Washer | |
| E | Hexagon Head Bolt | | K | Toothed Lock Washer | |

NOTE:
The unchromated coating is applied to iron and steel material for the unspecified materials of the bolt and screw.

NOTE:
The parts without order number are the custom-ordered, and these are not mentioned in the price list. When ordering them, the part name and the drawing number are required. Contact your HITACHI distributor for the delivery date and price about them.