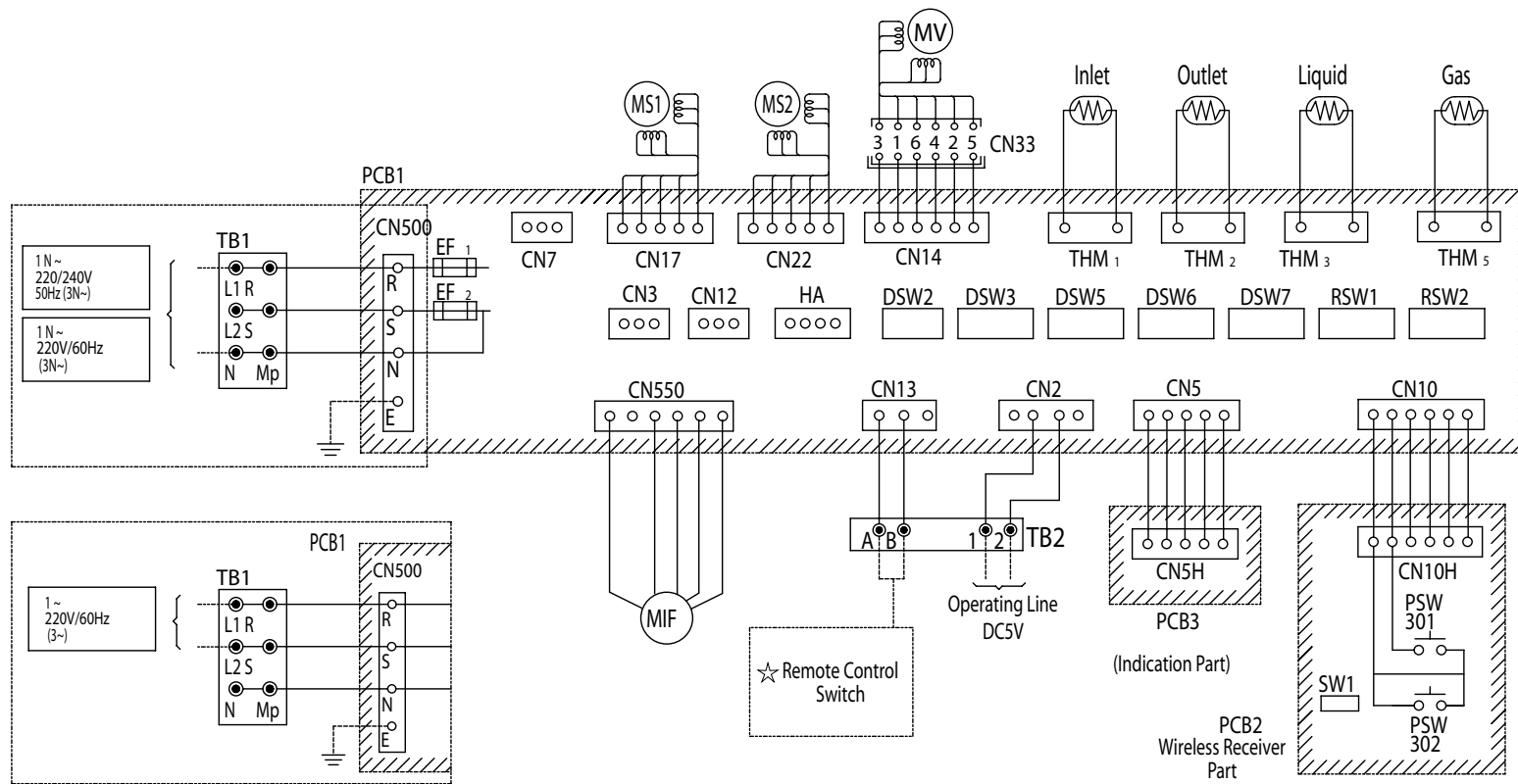


SCHALTPLAN RPK-(2.5~4.0)FSN2M



| Mark | Name |
|------------|--|
| CN | Connector |
| DSW2 | Optional functions |
| DSW3 | Capacity Code Setting |
| DSW5, RSW2 | Refrigerant Cycle N° |
| DSW6, RSW1 | Unit N° Setting |
| EF1, EF2 | Fuse |
| MIF | Motor for Indoor Fan |
| MS | Motor for Automatic Swing Louver |
| MV | Micro-Computer Control Expansion Valve |
| PCB1,2,3,4 | Printed Circuit Board |
| PSW301 | Switch for Emergency Operation |
| TB1, TB2 | Terminal Board |

| Mark | Name |
|------------------|------------------------------|
| THM ₁ | Inlet Air Thermistor |
| THM ₂ | Outlet Air Thermistor |
| THM ₃ | Freeze Protection Thermistor |
| THM ₅ | Gas Pipe Thermistor |
| ⊙ | Terminals |
| —⊠— | Close-end Connector |
| ※ | Optional Parts |
| ⋯ | Field Wiring |
| --- | Earth Wiring |
| — | Factory Wiring |
| ☆ | Field connection |