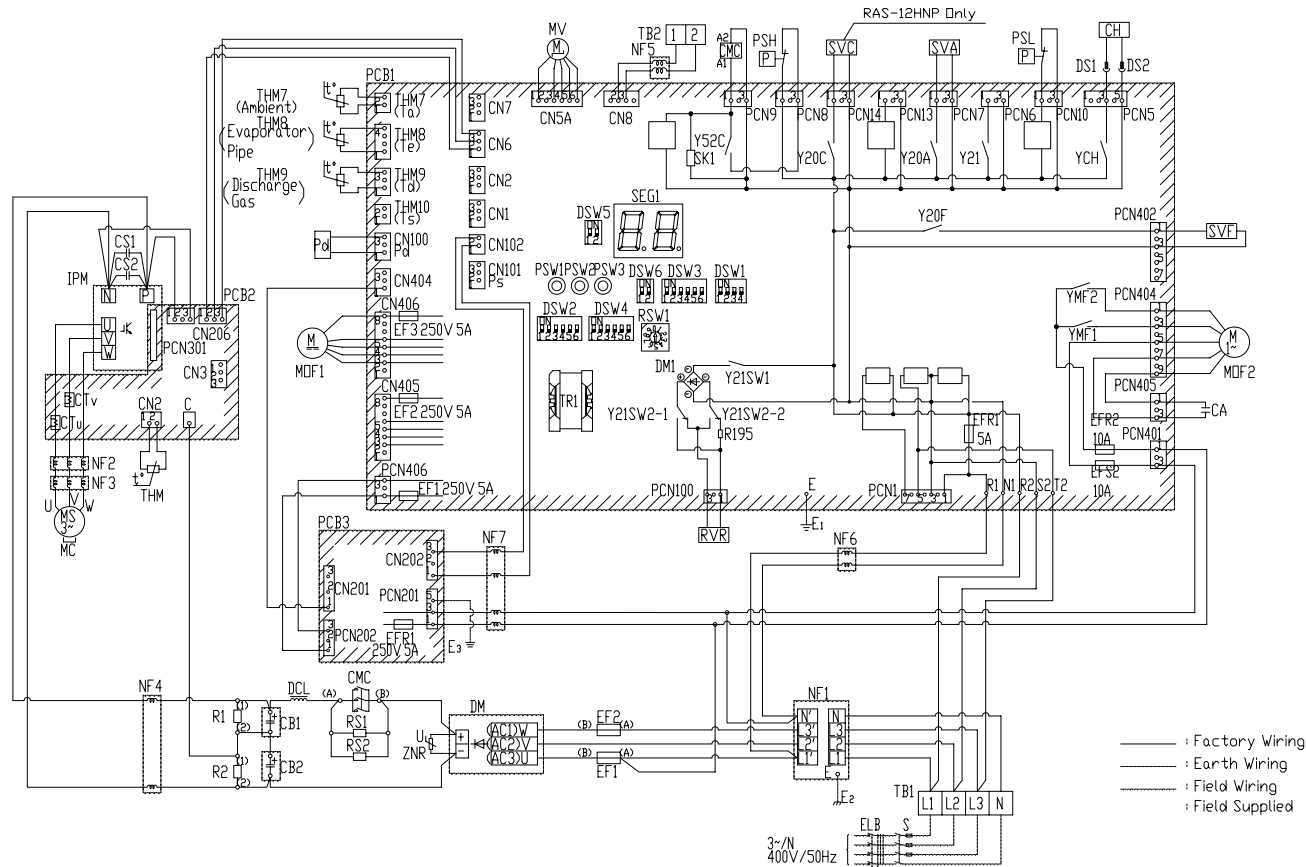


# SCHALTPLAN RAS-(12)HNC



| Mark    | Name                                   |
|---------|----------------------------------------|
| CA      | Capacitor                              |
| CB1,2   | Capacitor                              |
| CMC     | Contact for Compressor Motor           |
| CS1,2   | Capacitor                              |
| DCL     | Reactor                                |
| DM      | Diode Module                           |
| DS1,2   | Connector                              |
| DSW1-6  | Dip Switch on PCB1                     |
| EF1,2   | Fuse                                   |
| IPM     | Inverter System Power Module           |
| MC      | Motor for Compressor                   |
| MDF1,2  | Motor for Outdoor Fan                  |
| MV      | Micro-Computer Control Expansion Valve |
| NF1-7   | Noise Filter                           |
| PCB1-3  | Printed Circuit Board                  |
| Pd      | Sensor for Refrigerant Pressure        |
| PSL     | Pressure Switch for Control            |
| PSH     | High Pressure Switch for Protection    |
| PSW1-3  | Push Switch on PCB1                    |
| R1,2    | Resistor                               |
| RS1,2   | Resistor for Starting                  |
| RSW1    | Switch on PCB1                         |
| RVR     | Reversing Valve Relay                  |
| SVA,C,F | Solenoid Valve for Hot Gas Bypass      |
| TB1,2   | Terminal Board                         |
| THM7-9  | Thermistor                             |
| THM     | Thermistor for Fin Temperature         |
| ZNR     | Surge Absorber                         |